



**HAARSLEV™**

Processing Technology

# **VIBRATING SCREEN**

Product brochure



**HAARSLEV™**  
Processing Technology

# VIBRATING SCREEN



**The Haarslev Vibrating Screen is designed for the removing of liquid from cooked fish and meat.**

## **MAIN ADVANTAGES**

- Gentle handling of product
- Efficient separation of liquid from solids
- Enables optimum dewatering in screw press
- Compact design
- Low installation cost
- Low maintenance cost

## **DESIGN**

The Vibrating Screen is designed for optimum straining of cooked fish or meat prior to a twin screw press. It consists of a screen unit mounted inside a stainless steel housing. The screen plate is stretched over a steel frame, mounted on four brackets with rubber buffers, which reduces external vibration to a minimum and is kept in place by means of adjustable spring loaded bolts on the sides.

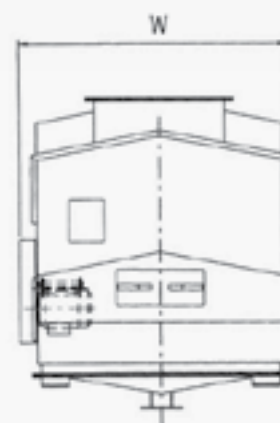
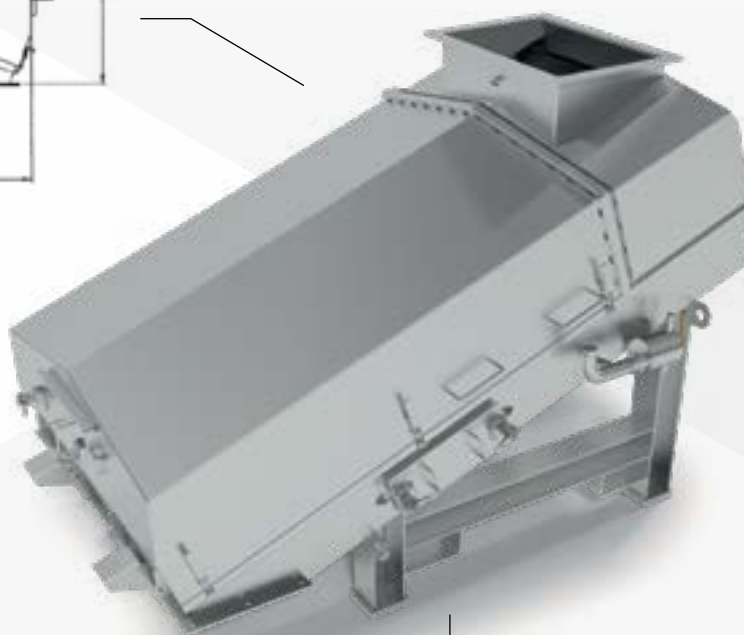
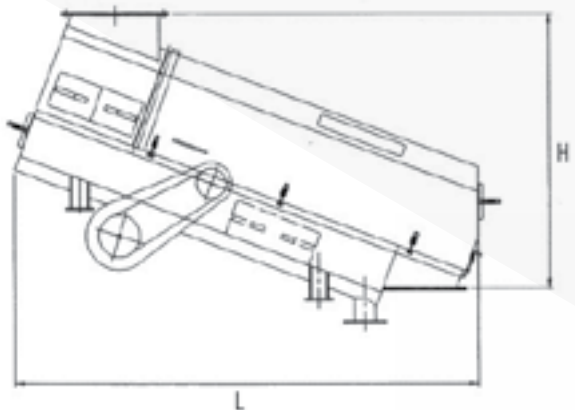
An eccentric shaft applies the vibration action on the screen unit.

The housing consists of two parts of which the top section can be removed for maintenance access. Inspection lids are located on both the top and side of the upper section.

The housing has a flanged inlet and outlet and is equipped with four brackets for mounting on a steel support. The bottom section is V-shaped with an outlet chute for the liquid fraction.

### PERFORMANCE

Rated capacity for the Vibrating Screen 30-50 t/h of cooked fish or meat.



### OPTIONS

Different perforation of screen plates, depending on type of raw material and other characteristics. Capacity and vibration can be adjusted by variable speed drive system.

### TECHNICAL SPECIFICATIONS

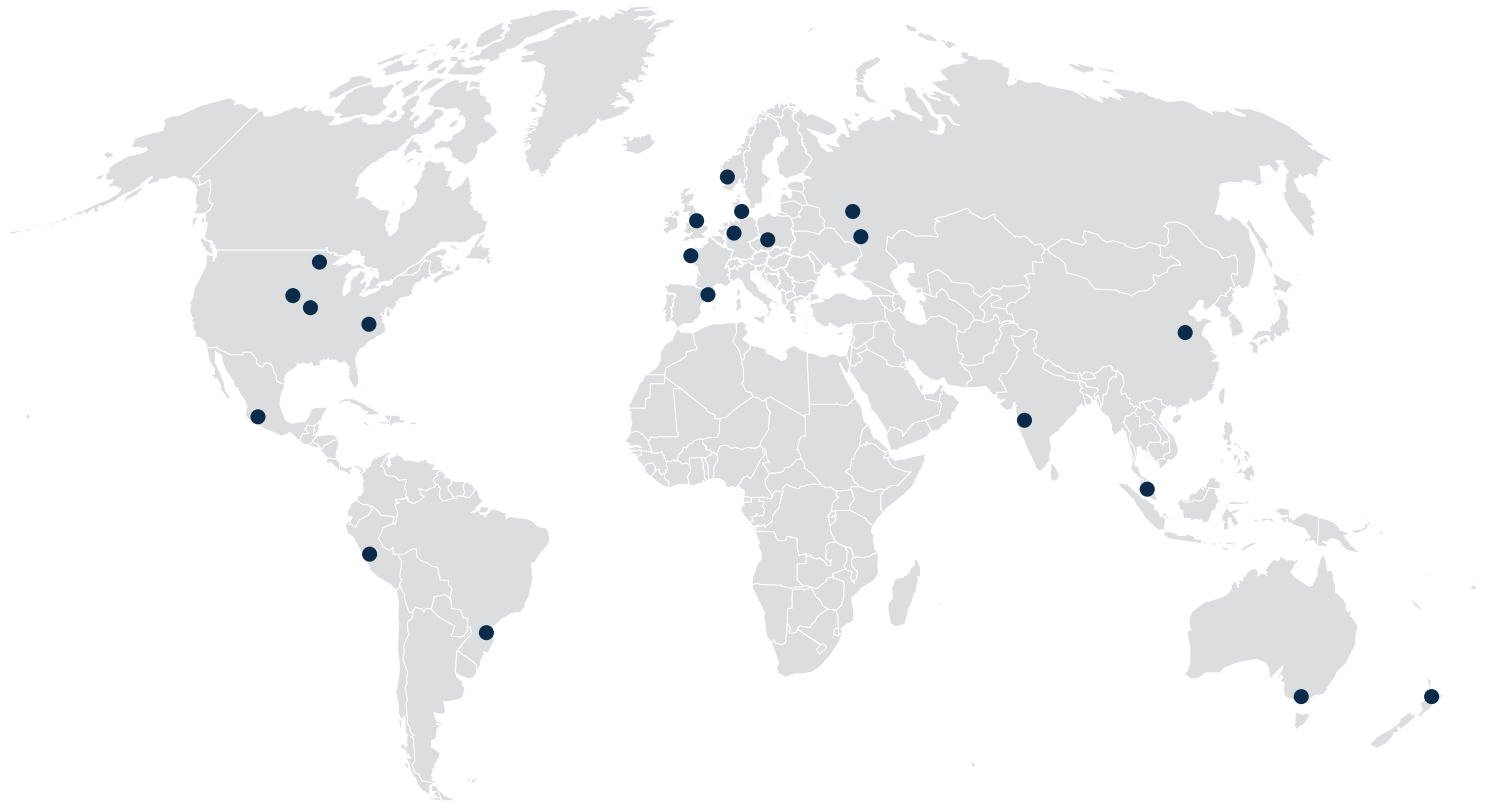
VIBRATING SCREEN	CAPACITY (t/h)	DIMENSIONS (mm)			WEIGHT (kg)
		Length (L)	Height (H)	Width (W)	
1020	30	2,496	1,455	1,458	675
1230	50	3,490	1,825	1,780	1,450

We reserve the right to alter the specifications at any time without prior notice.



# HAARSLEV™

Processing Technology



## MASTER YOUR PROCESS

### HEAD OFFICE

Haarslev A/S · Bogensevej 85  
DK-5471 Søndersø · Denmark  
Telephone: +45 63 83 11 00  
Email: [info@haarslev.com](mailto:info@haarslev.com)  
[www.haarslev.com](http://www.haarslev.com)

### LOCAL EXPERIENCE - GLOBAL PRESENCE

Please contact us or visit our website  
to locate the closest sales office.